

BORDEN WALL HUNG BASIN

Cat. No
4-9150



Faucet not included



Mounting hardware

W: 23-3/8"
D: 11-3/8"
H: 5-1/8"

Interior Dimensions:

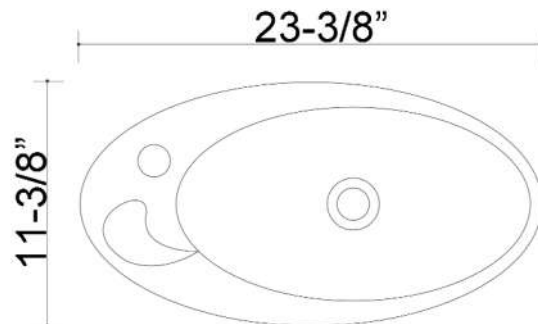
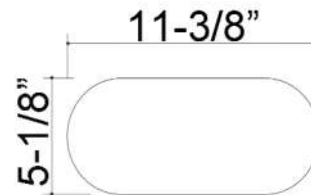
Basin Interior:	9-1/2" x 16-5/8"
Basin Depth:	3"
Back of basin to center of faucet:	2-1/2"
Back of basin to center of drain:	5-1/2"
Mount holes cc:	3-1/2"
Faucet hole diameter:	1-3/8"

Features:

- ▶ Wall hung basin
- ▶ Made of Vitreous China
- ▶ Pre-drilled with 1-3/8" single faucet hole on the left
- ▶ No overflow
- ▶ Mounting hardware included
- ▶ Drain not provided

Colors
WH White

Meets or exceeds the following specifications: ASME A112.19.2 2013 and CSA B45.1-13 for ceramic plumbing fixtures.



Dimensions of fixture are nominal and may vary within the range of tolerances established by ASME Standard A112.19.2.2013. Dimensions and specifications subject to change without notice.